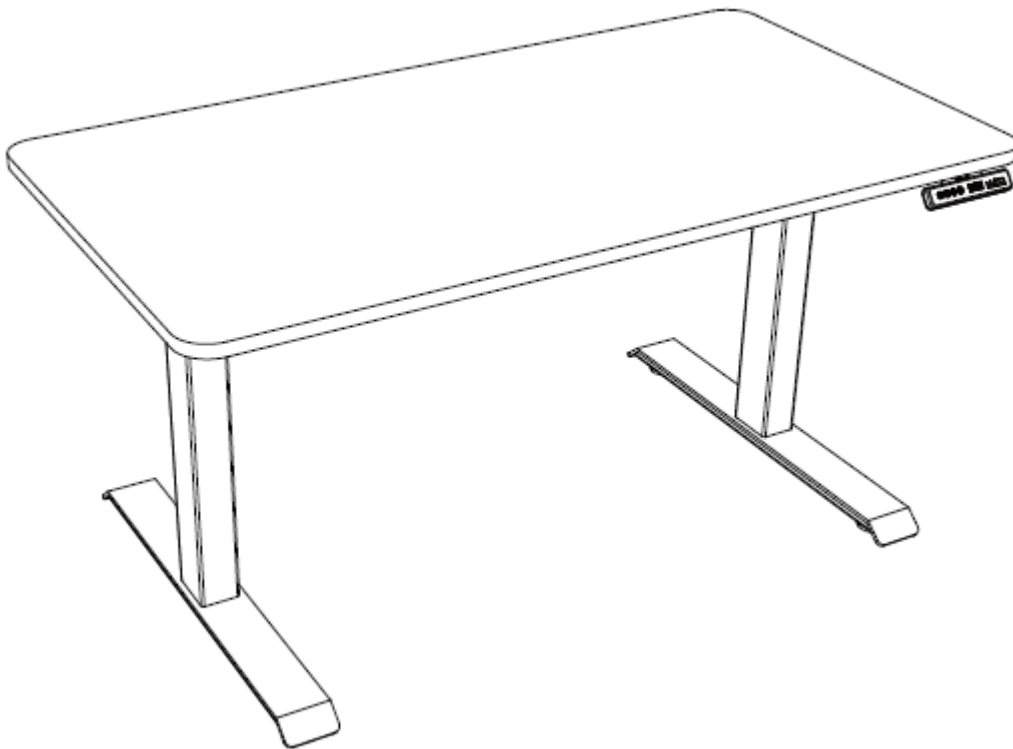


## Sit-Stand Desk Operating & Assembly Instructions



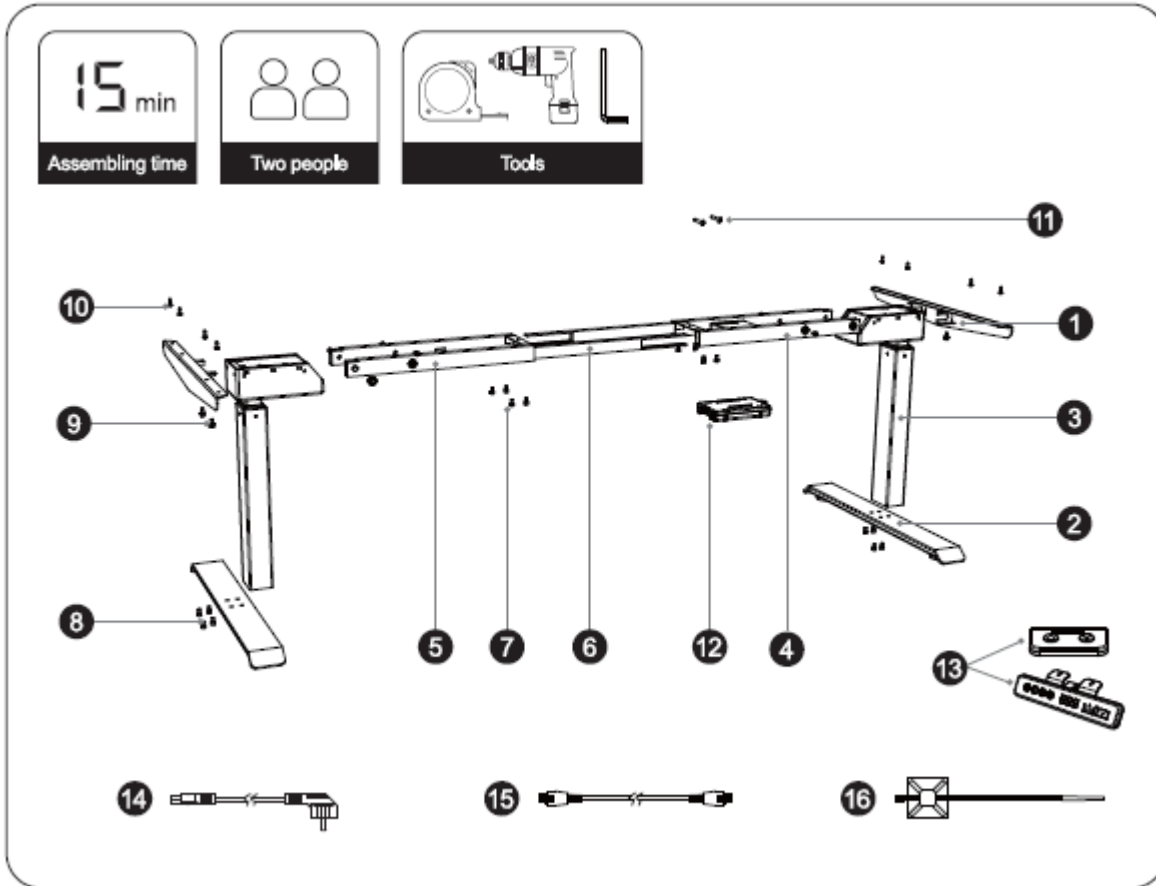
**Operation manual  
For Height-Adjustable Desk**

[www.adjustabledesksaustralia.com.au/](http://www.adjustabledesksaustralia.com.au/)

## Content

1. Components information.....	3
2. Assembling instruction.....	4
3. Operating manual for control unit.....	6
4. Code meaning.....	9
5. Trouble shooting.....	9
6. Technical data.....	9

## BOM Information and Tools



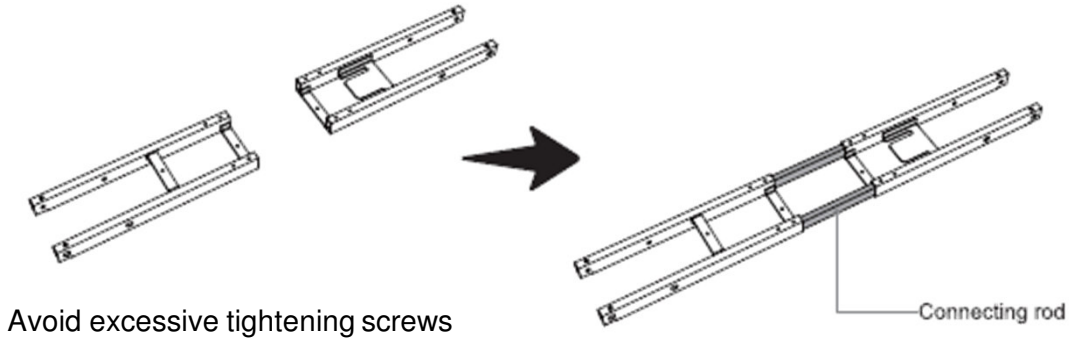
No.	Part name	Qty (pcs)
1	Side bracket	2
2	Foot	2
3	Column	2
4	Frame 1	1
5	Frame 2	1
6	Connecting rod	2
7	M6*10 Screw	16
8	M6*16 Screw	8

No.	Part name	Qty (pcs)
9	M6*12 Screw	4
10	ST4.8*16 Tapping screw	10
11	ST3.5*16 Tapping screw	2
12	Control box	1
13	Handset	1
14	Cable	1
15	Extension cable	1
16	Cable clip	8

## Assembling Instruction

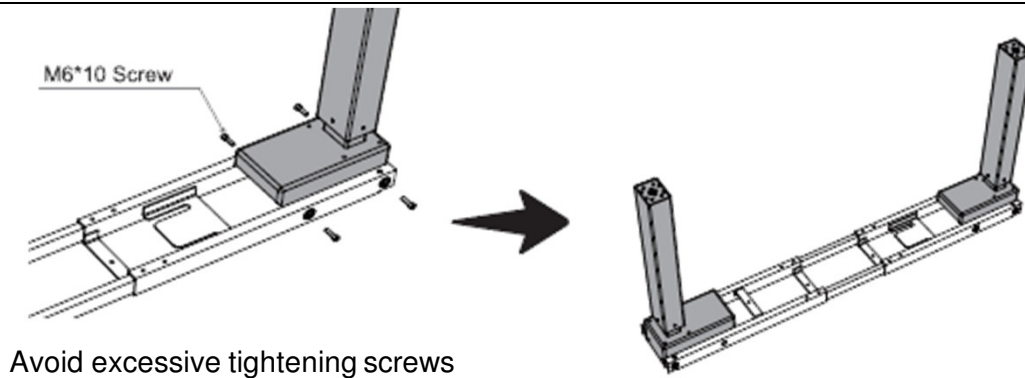
### Step 1

- Set frame 1 and frame 2 flat.
- Insert two connecting rods into frame 1 and frame 2 respectively.



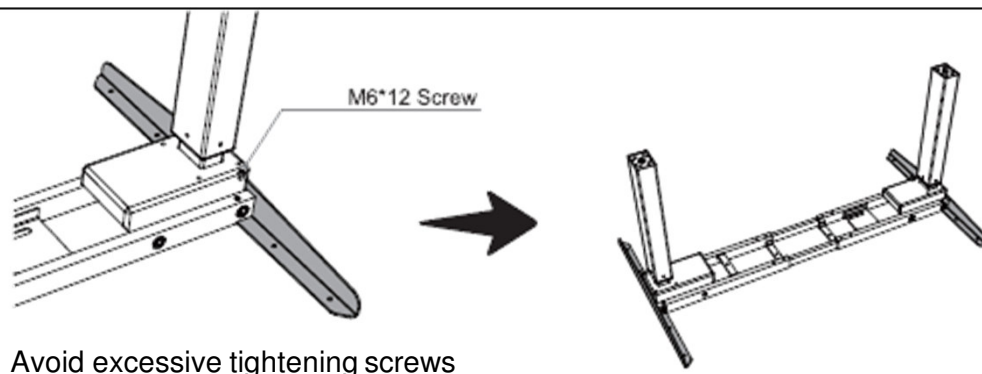
### Step 2

- Insert the columns into frame 1 and frame 2 respectively, line up the holes on the frame and column.
- Tighten the screws in diagonal way.



### Step 3

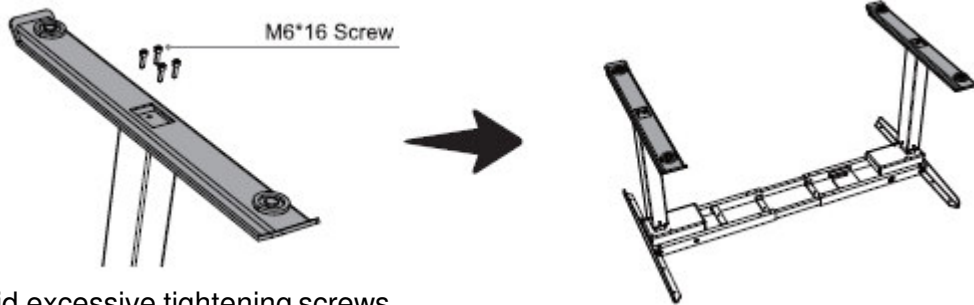
- Insert the side brackets into frame 1 and frame 2 respectively.
- Fasten the screws.



## Assembling Instruction

### Step 4

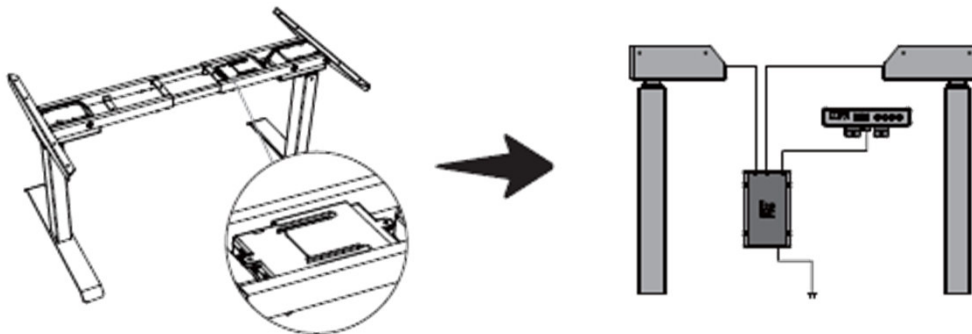
- Line up the screw holes on the feet and columns.
- Fasten the screws.



Avoid excessive tightening screws

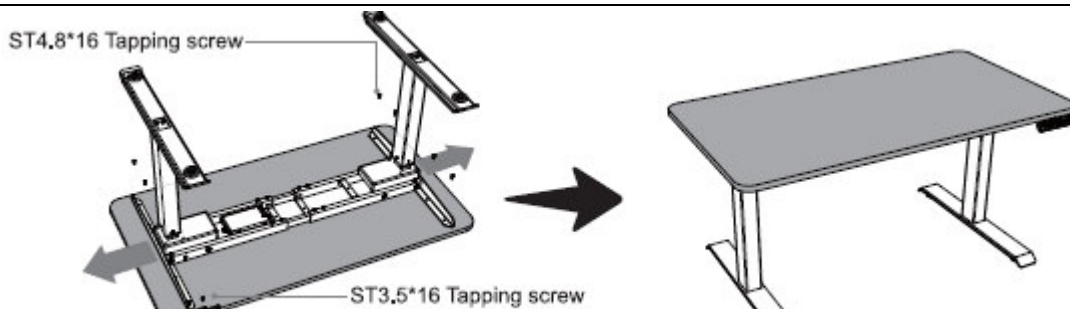
### Step 5

- As shown in below, connect related parts, including control box, handset, extension cable and power cord.



### Step 6

- Adjust the base to the suitable width. It is suggested that the two sides of the frame side brackets are 2 inch from the edge of the desktop, and fasten screws.
- Install the handset on suitable position of desktop edge to avoid interference with humans or chairs.
- Tidy up all the power cables, and fasten with cable clip.





The frame width is adjustable: 40 inch~ 60 inch, which is suitable for different desktop



## Operating manual of control unit



### Manual Reset





- 1  Keep pressing down key till the desktop reach the lowest position (display shows "60"), release the key.
- 2  Keep pressing the down key again for about 5 seconds until the desktop moves further down and reaches absolutely lowest desktop position (display will show "EO1", and then "60").
- 3 Release the key, the height-adjustable desk can be used normally.

### Up and Down

- 1  Keep pressing up key till the required height is reached
- 2  Keep pressing down key till the required height is reached.

### Saving position








By saving the memory position, the desktop can be easily reached the defined height

- 1   Adjust the desktop to the height you want to save
- 2  Press "M" key , the display will show "S -"
- 3  Press "1" to set the first memory position .Similar progress for 2 and 3 memory positions.

## Operating manual for control unit

### Container and shelf stop positions








By this function would be used to limit the movement area of desktop, when the container is underneath or any shelf above the desktop. Once it is set, the new upper or lower limitation position will be stored.

- 1  Keep pressing the key "M" for 15 seconds into setup state (display starts flashing)
- 2  Press up key till the required upper limit position is reached,
- 3   Press "1" (display will show "H-P"), the shelf stop position has been set
- 4 Keep pressing down key till the required lower limit position is reached
- 5   Press "2" (the display will show "L-P"), the container stop position has been set.
- 6  Press key "M" to exit after the setup is complete.

**Note:** The container stop could be only stored in the lower half of movement, and shelf stop could be only stored in the upper half of movement.

To deactivate the container stop/ shelf stop position by manual reset .


### Change the displayed desktop position (cm /inch)

- 1  Keep pressing key "M" till the display show "P-1".
- 2   Press up key, the display will show "P-2".
- 3  Press key "M" into switch state, you can switch by up/down key. It means "cm"; when display show "0", if show "1" ,means "inch".  
 
- 4  Press key "M" to save your settings. ( the display will show "P-2")
- 5 Press key "1" to exit.








## Operating manual of 6 key

### Anti-Collision function

**Note:** Before use, please make sure removing obstacle in advance and human body is in the safe position.

- 1  Once the desktop encounters any obstacle in its path, the screen displays "EO5"
- 2 The desktop runs back around 2 inch, and it would be used normally after removing the obstacle

It can adjust sensitivity of high-adjustable desk during obstacle in its path.

- 1   Keep pressing key "M" until the display show "P-1".
- 4   Press up key, the display will show "P-3".
- 5  Press key "M" to adjust sensitivity through up or down key (Lower numbers equate to better sensitivity), and it is suggested to set the number not lower than 10.
- 6   Press key "M" to save your settings (the display will show "P-3").



## Code meaning

Code	Information	Operating
E01	Resetting	Refer to the progress of manual reset
E04	Overloading	Remove the load on desktop till it less than 800N (175 LBS) for further operation
E05	Anti-Collision function	It can be used normally after removing the obstacle
E06	Overheat protection	Make the desk rest around 15minutes for further operation
E07	Need to be reset	Refer to manual reset

## Trouble shooting

Code	Operating
E02 / The height between two legs exceed 1 inch	Stop the operation and reset, refer to Manual reset
E08/E09	Check the cables and ensure they are well connected, and the height-adjustable desk can be used normally after manual reset

## Technical Data

Item	Data
Input voltage	220~240VAC/100~130VAC
output voltage	24VDC
Max loading	1000N
Height range(without desktop)	22.9" ~48.3"/22.5" ~47.9"
Duty cycle	2 min on/ 18 min off



email:  
[sales@adjustabledesksaustralia.com.au](mailto:sales@adjustabledesksaustralia.com.au)